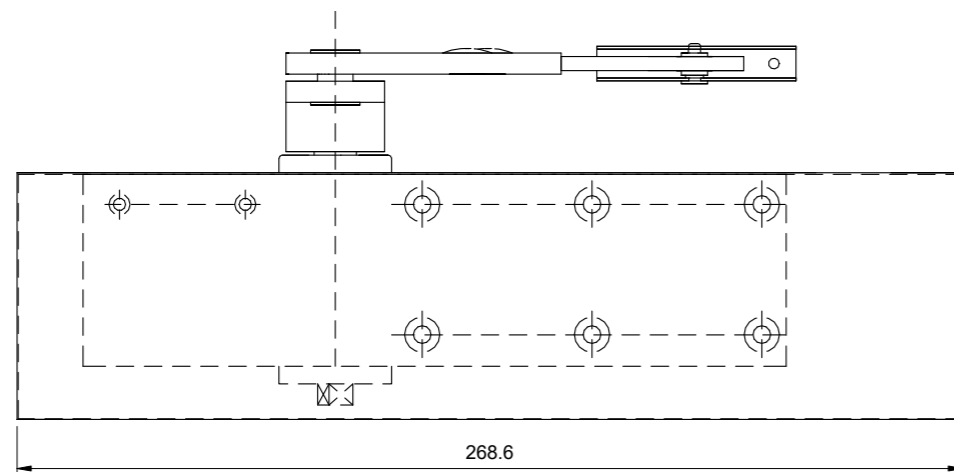
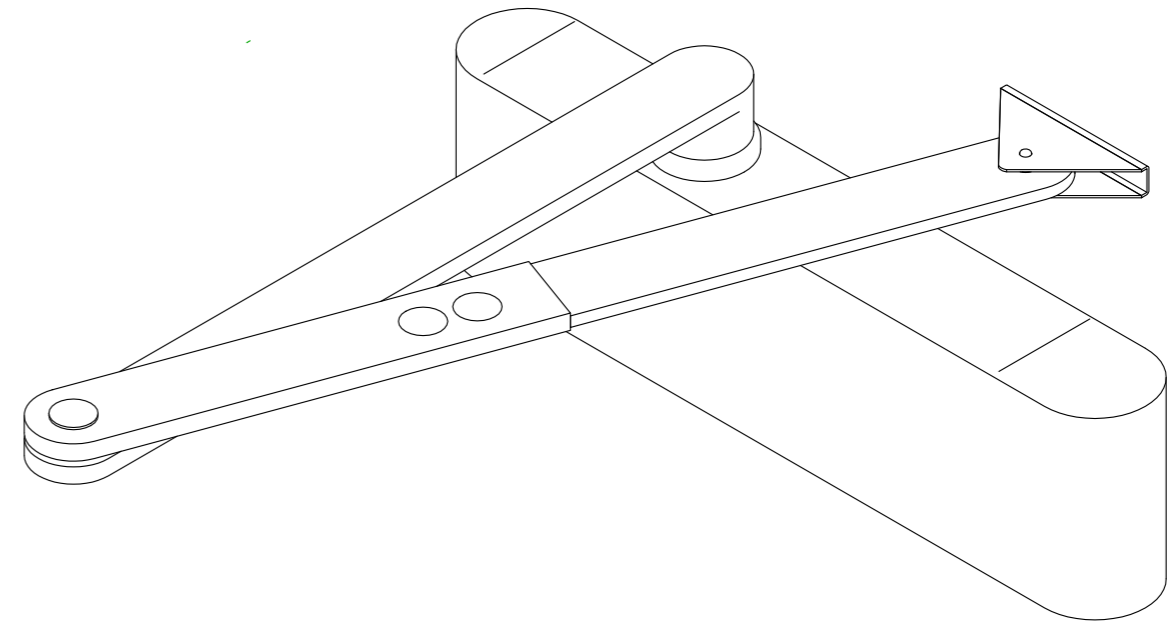


02 Side View
1 : 2



03 Front View
1 : 2



01 3D View

Item	Description	EN Power Size	Hold Open	Backcheck	Delayed Action	Length	Height	Projection
KD-9130 SSS/PSS/PB/RAL	KCC Overhead Door Closer with Cover	2-4	Option	Self Regulating	No	268.6	70.1	40.5

Rev	Date	Description	Initial
Title : Type 4			
Contract : KCC Architectural			
Scales are as shown, original drawing size A3			
KCC GROUP		Creator : Sohraab	
		Checked by : Denis	
		Scale : N.T.S	
		First issue : 14-11-2016	
		Project No :	
		DRG No :	Rev A

© This document is the property of KCC ARCHITECTURAL. Copyright is reserved by them, and the drawing is issued on the condition that it is not copied, reproduced or retained by, nor disclosed to an unauthorised person either wholly or in part, without the consent in writing from KCC ARCHITECTURAL. For the purposes of continual development, KCC reserves the right to change specifications and dimensions without notice. All dimensions are to be checked by the contractor on site before commencement of works. Do not scale from this drawing.

The details and drawings on this template conform to the UK Governments 2016 BIM guidelines.